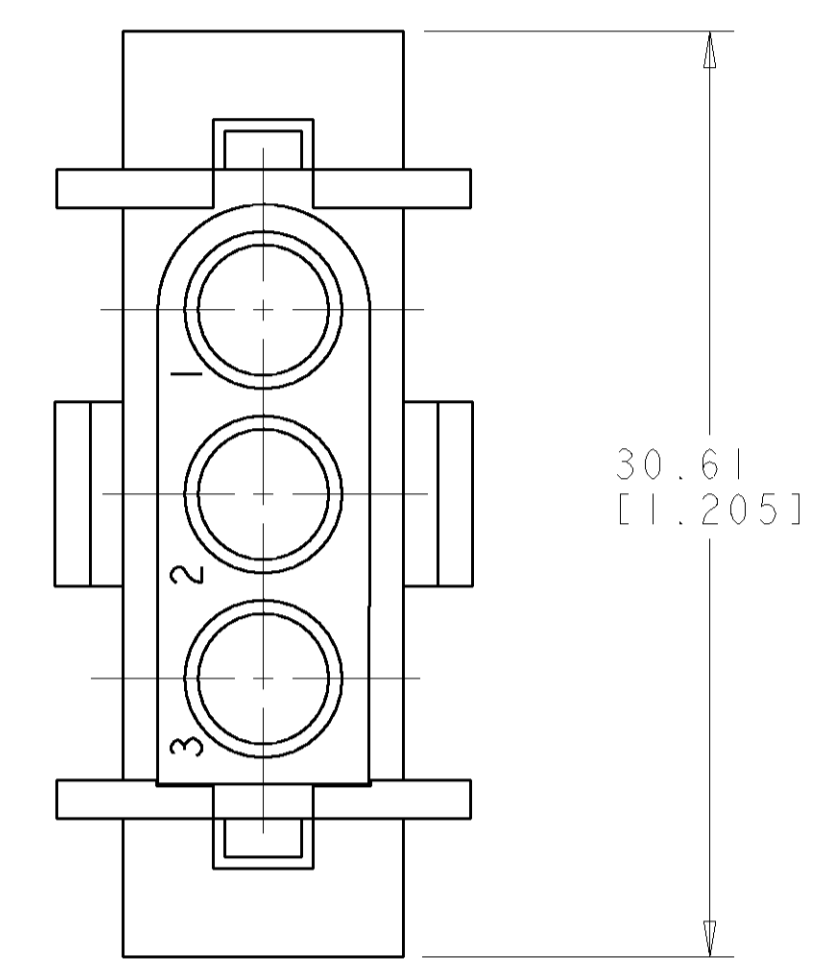
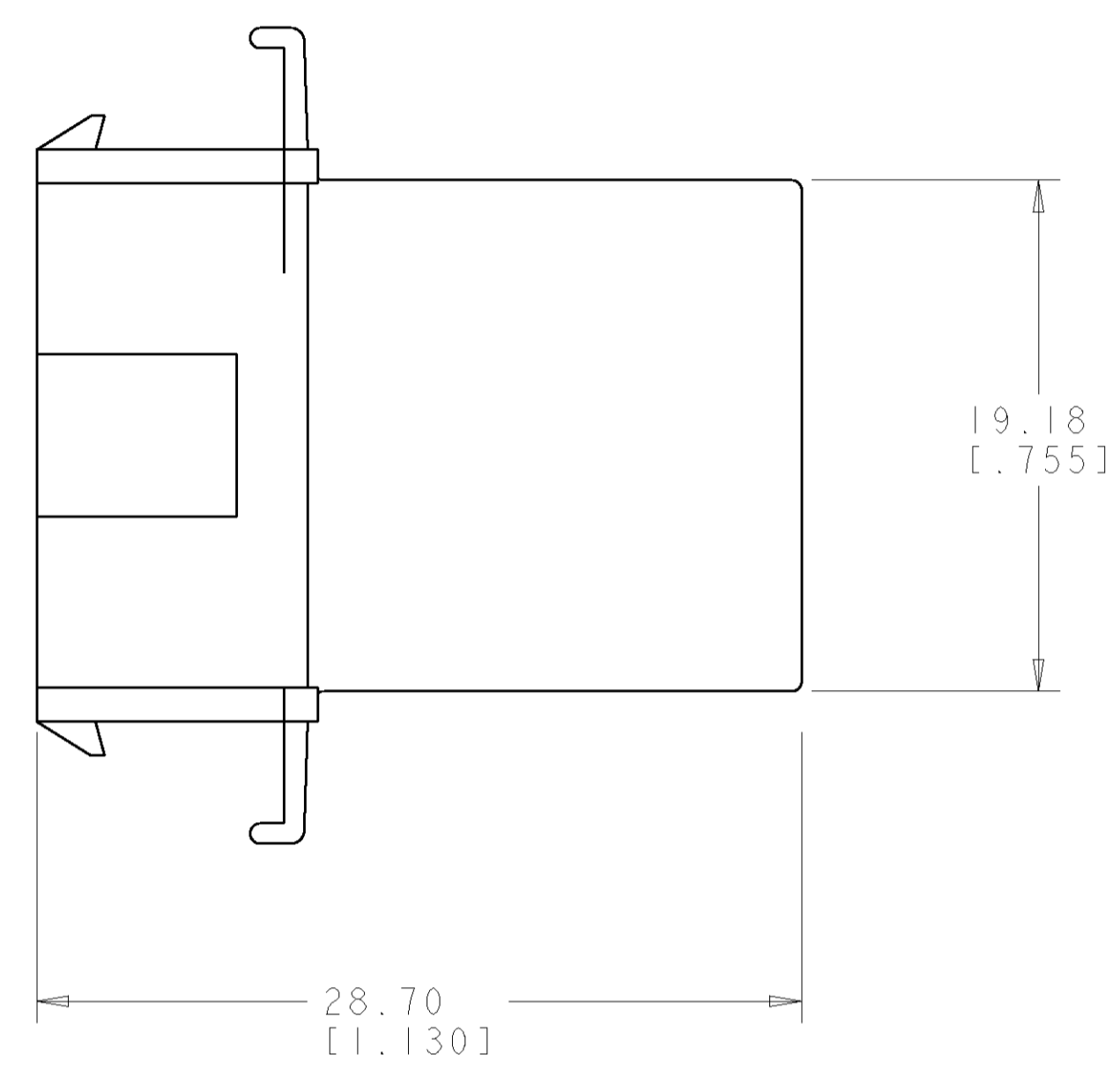
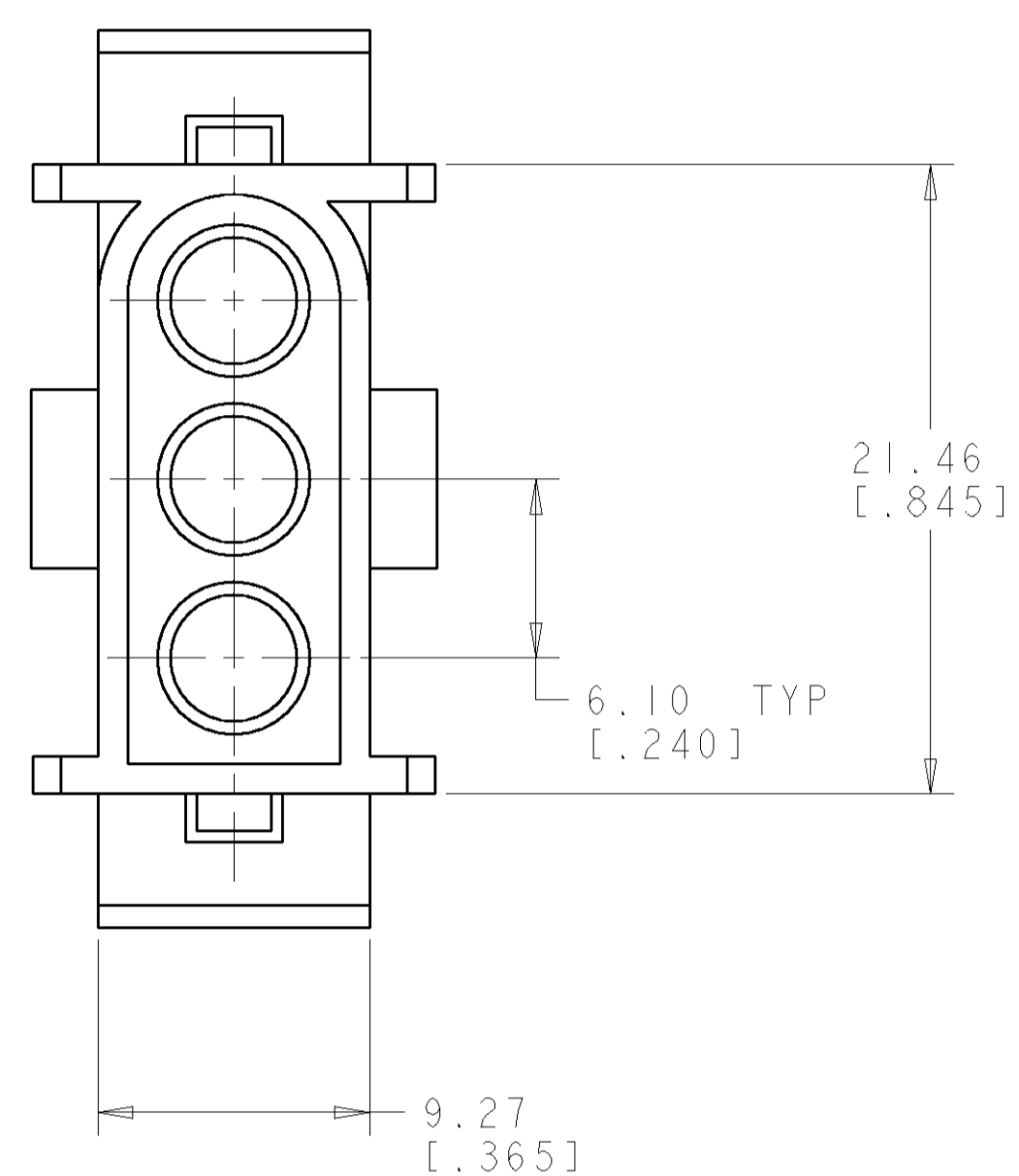
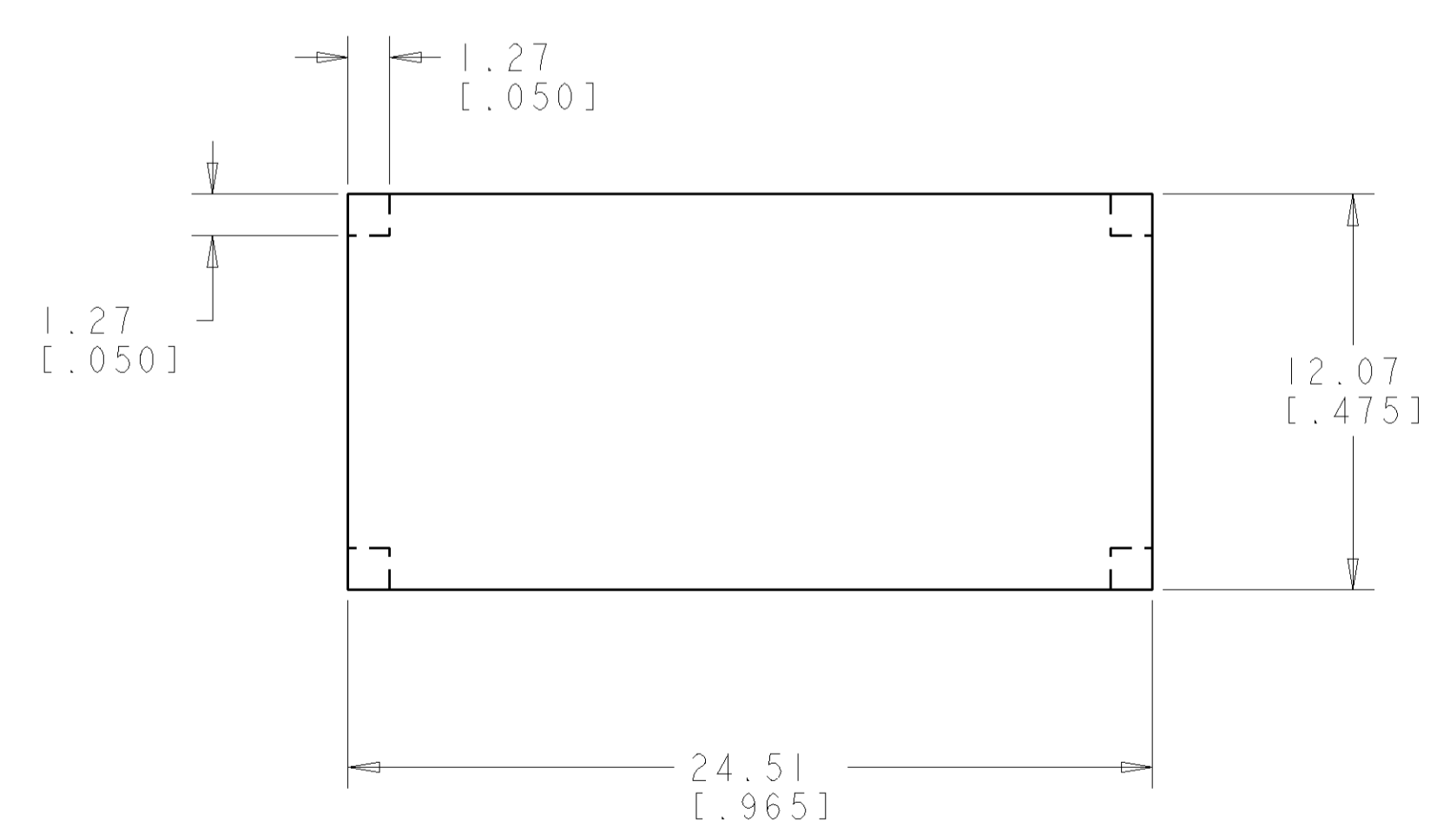
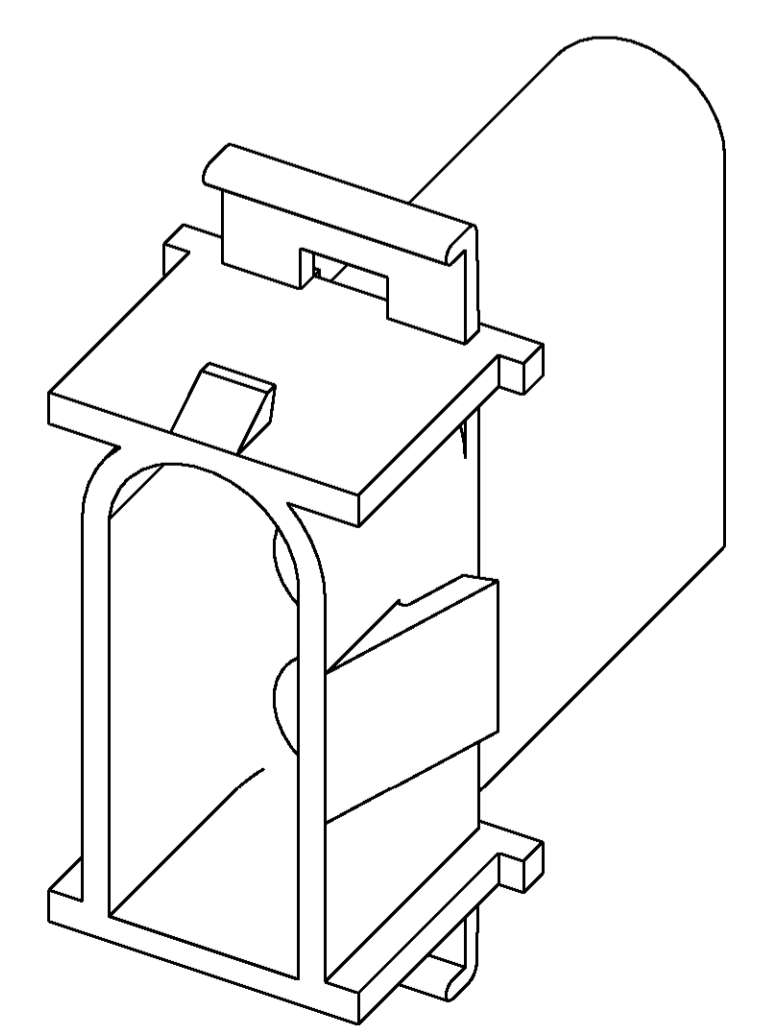


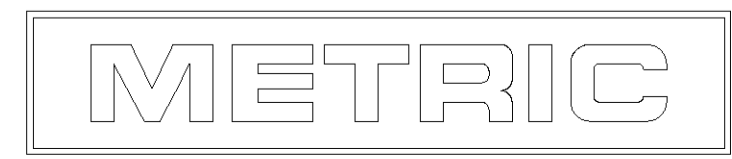
LOC	DIST	REVISIONS					
CM	00	P	LTR	DESCRIPTION	DATE	DWN	APVD
		0		RELEASED PER 0638-0547-00	13OCT2000	KW	SR



- TO BE WITH .140 SERIES PINS.
 - TO BE USED WITH PLUG 794861-1.
- ⚠ 1.27[.050] x 1.27[.050] TABS IN CORNERS OF CUT-OUT ARE OPTIONAL TO REDUCE HOUSING FLOAT IN PANEL.



RECOMMENDED CUT OUT FOR
 0.76 - 1.65 [0.030 - .065] THICK PANEL



794862-1
 PART NUMBER

<small>THIS DRAWING IS UNPUBLISHED. RELEASED FOR PUBLICATION. ALL RIGHTS RESERVED. THIS DRAWING IS THE PROPERTY OF TYCO ELECTRONICS CORPORATION. IT IS TO BE USED ONLY FOR THE PURPOSES AND ORGANIZATION SPECIFIED BY THE CUSTOMER. IT IS NOT TO BE REPRODUCED OR TRANSMITTED IN ANY FORM OR BY ANY MEANS, ELECTRONIC OR MECHANICAL, INCLUDING PHOTOCOPYING, RECORDING, OR BY ANY INFORMATION STORAGE AND RETRIEVAL SYSTEM, WITHOUT THE WRITTEN PERMISSION OF TYCO ELECTRONICS CORPORATION.</small>		DWN: B. WHITAKER ENR: S. RIDGILL APVD: S. RIDGILL	13OCT2000 13OCT2000 13OCT2000	Tyco Electronics	Tyco Electronics Harrisburg, PA 17105-3608
DIMENSIONS: mm [INCHES]	TOLERANCES UNLESS OTHERWISE SPECIFIED: 0 PLC ± 1 PLC ± 2 PLC ±0.13 (.005) 3 PLC ± 4 PLC ± ANGLES ±	PRODUCT SPEC APPLICATION SPEC FINISH: 40° 30'	NAME: CAP. 3 CIRCUIT, .140 MATE-N-LOK™	SIZE: A CAGE CODE: 00779 DRAWING NO: 794862	RESTRICTED TO:
MATERIAL: NYLON UL94V-0, WHITE	FINISH:	WEIGHT:	CUSTOMER DRAWING	SCALE: 5:1	SHEET: 1 OF 1 REV: 0